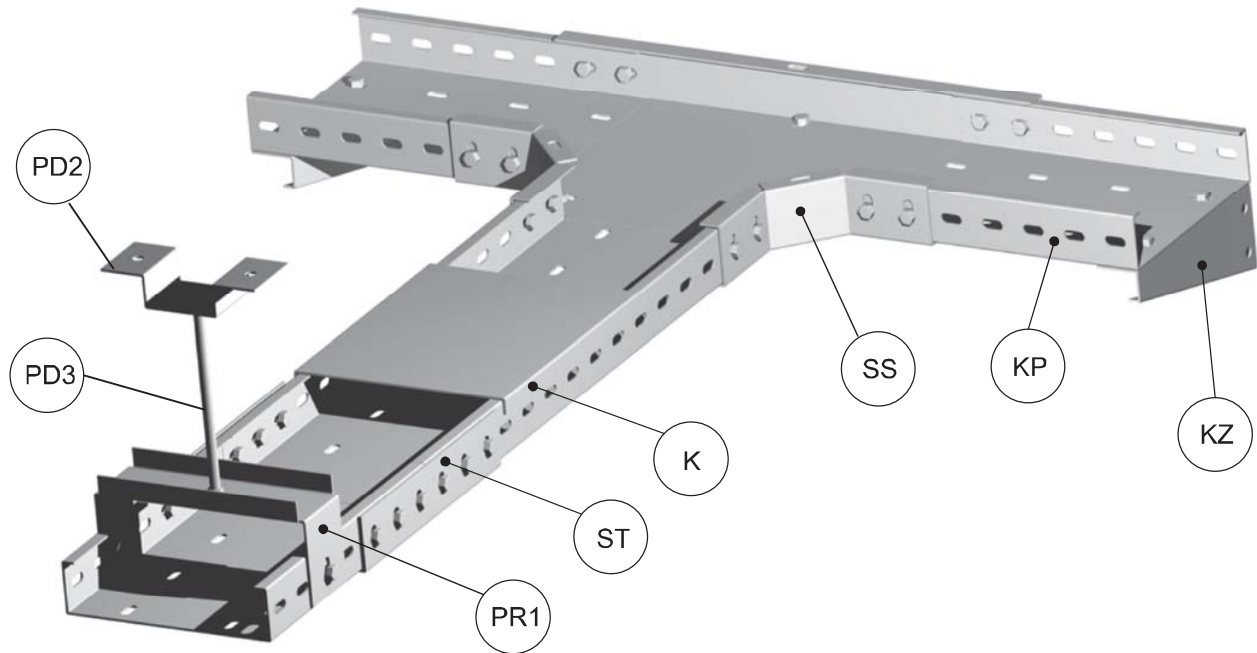




# PRODUCTS OF METAL SHEETS

Rade Koncar-TEP

## PERFORATED CABLE TRAY - PNK

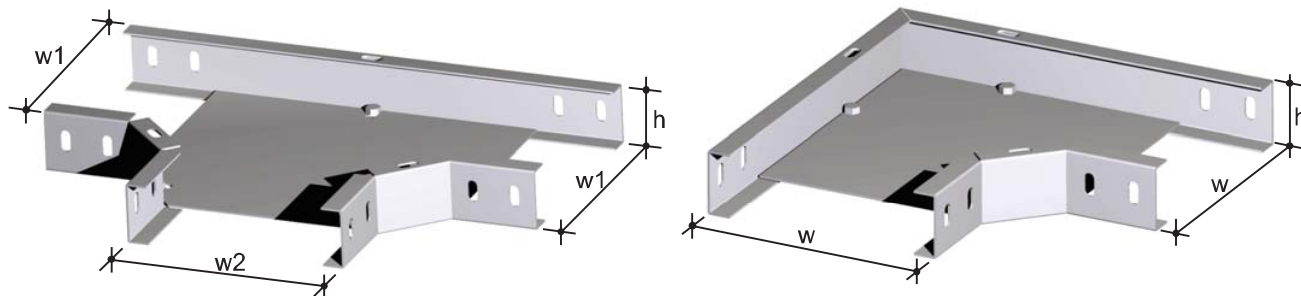


PERFORATED TRAYS				
Type	Order numbers	Dimensions (mm)		
		Width w	High h	Lenght L
KP05-4	701600667	50	40	3000
KP10-4	701601667	100	40	3000
KP15-4	701602667	150	40	3000
KP20-4	701603667	200	40	3000
KP25-4	701604667	250	40	3000
KP30-4	701605667	300	40	3000
KP40-4	701606667	400	40	3000
KP50-4	701607667	500	40	3000
KP60-4	701608667	600	40	3000
KP05-5	701609667	50	50	3000
KP10-5	701610667	100	50	3000
KP15-5	701611667	150	50	3000
KP20-5	701612667	200	50	3000
KP25-5	701613667	250	50	3000
KP30-5	701614667	300	50	3000
KP40-5	701615667	400	50	3000
KP50-5	701616667	500	50	3000
KP60-5	701617667	600	50	3000

PERFORATED TRAYS				
Type	Order numbers	Dimensions (mm)		
		Width w	High h	Lenght L
KP05-6	701618667	50	60	3000
KP10-6	701619667	100	60	3000
KP15-6	701620667	150	60	3000
KP20-6	701621667	200	60	3000
KP25-6	701622667	250	60	3000
KP30-6	701623667	300	60	3000
KP40-6	701624667	400	60	3000
KP50-6	701625667	500	60	3000
KP60-6	701626667	600	60	3000
KP10-100	701627667	100	100	3000
KP15-100	701628667	150	100	3000
KP20-100	701629667	200	100	3000
KP25-100	701630667	250	100	3000
KP30-100	701631667	300	100	3000
KP40-100	701632667	400	100	3000
KP50-100	701633667	500	100	3000
KP60-100	701634667	600	100	3000



## PERFORATED CABLE TRAY - PNK



### SIDE CLUTCH

Type	Order numbers	For dimensions of tray (mm)	
		Width w	High h
SS05-4	701640667	50	40
SS10-4	701641667	100	40
SS15-4	701642667	150	40
SS20-4	701643667	200	40
SS25-4	701644667	250	40
SS30-4	701645667	300	40
SS40-4	701646667	400	40
SS50-4	701647667	500	40
SS60-4	701648667	600	40
SS05-5	701649667	50	50
SS10-5	701650667	100	50
SS15-5	701651667	150	50
SS20-5	701652667	200	50
SS25-5	701653667	250	50
SS30-5	701654667	300	50
SS40-5	701655667	400	50
SS50-5	701656667	500	50
SS60-5	701657667	600	50
SS05-6	701658667	50	60
SS10-6	701659667	100	60
SS15-6	701660667	150	60
SS20-6	701661667	200	60
SS25-6	701662667	250	60
SS30-6	701663667	300	60
SS40-6	701664667	400	60
SS50-6	701665667	500	60
SS60-6	701666667	600	60
SS10-10	701667667	100	100
SS15-10	701668667	150	100
SS20-10	701669667	200	100
SS25-10	701670667	250	100
SS30-10	701671667	300	100
SS40-10	701672667	400	100
SS50-10	701673667	500	100
SS60-10	701674667	600	100

### ANGLE CLUTCH

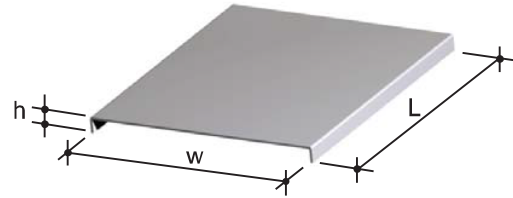
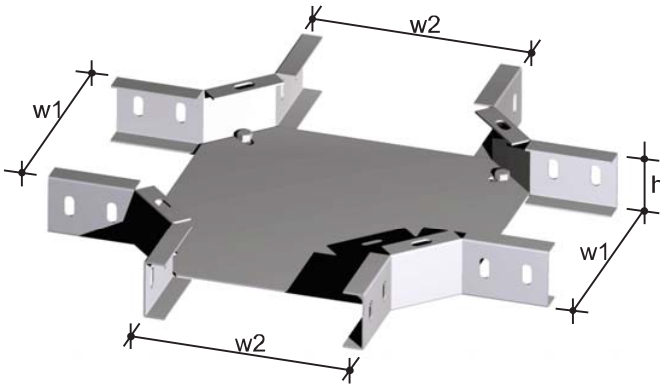
Type	Order numbers	For dimensions of tray (mm)	
		Width w	High h
AS05-4	701680667	50	40
AS10-4	701681667	100	40
AS15-4	701682667	150	40
AS20-4	701683667	200	40
AS25-4	701684667	250	40
AS30-4	701685667	300	40
AS40-4	701686667	400	40
AS50-4	701687667	500	40
AS60-4	701688667	600	40
AS05-5	701689667	50	50
AS10-5	701690667	100	50
AS15-5	701691667	150	50
AS20-5	701692667	200	50
AS25-5	701693667	250	50
AS30-5	701694667	300	50
AS40-5	701695667	400	50
AS50-5	701696667	500	50
AS60-5	701697667	600	50
AS05-6	701698667	50	60
AS10-6	701699667	100	60
AS15-6	701700667	150	60
AS20-6	701701667	200	60
AS25-6	701702667	250	60
AS30-6	701703667	300	60
AS40-6	701704667	400	60
AS50-6	701705667	500	60
AS60-6	701706667	600	60
AS10-10	701707667	100	100
AS15-10	701708667	150	100
AS20-10	701709667	200	100
AS25-10	701710667	250	100
AS30-10	701711667	300	100
AS40-10	701712667	400	100
AS50-10	701713667	500	100
AS60-10	701714667	600	100



# PRODUCTS OF METAL SHEETS

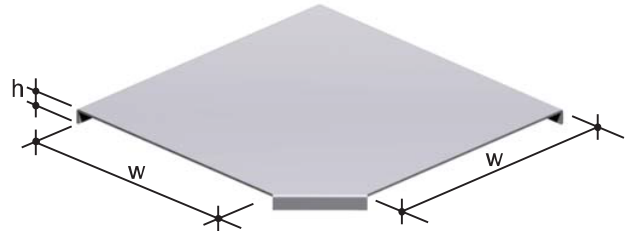
Rade Koncar-TEP

## PERFORATED CABLE TRAY - PNK



CROSS CLUTCH			
Type	Order numbers	For dimensions of tray (mm)	
		Width w	High h
KS05-4	701720667	50	40
KS10-4	701721667	100	40
KS15-4	701722667	150	40
KS20-4	701723667	200	40
KS25-4	701724667	250	40
KS30-4	701725667	300	40
KS40-4	701726667	400	40
KS50-4	701727667	500	40
KS60-4	701728667	600	40
KS05-5	701729667	50	50
KS10-5	701730667	100	50
KS15-5	701731667	150	50
KS20-5	701732667	200	50
KS25-5	701733667	250	50
KS30-5	701734667	300	50
KS40-5	701735667	400	50
KS50-5	701736667	500	50
KS60-5	701737667	600	50
KS05-6	701738667	50	60
KS10-6	701739667	100	60
KS15-6	701740667	150	60
KS20-6	701741667	200	60
KS25-6	701742667	250	60
KS30-6	701743667	300	60
KS40-6	701744667	400	65
KS50-6	701745667	500	60
KS60-6	701746667	600	60
KS10-10	701747667	100	100
KS15-10	701748667	150	100
KS20-10	701749667	200	100
KS25-10	701750667	250	100
KS30-10	701751667	300	100
KS40-10	701752667	400	100
KS50-10	701753667	500	100
KS60-10	701754667	600	100

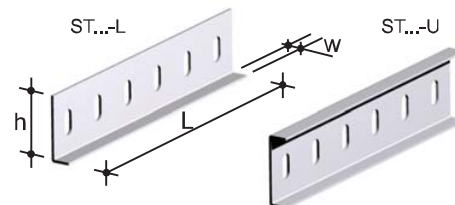
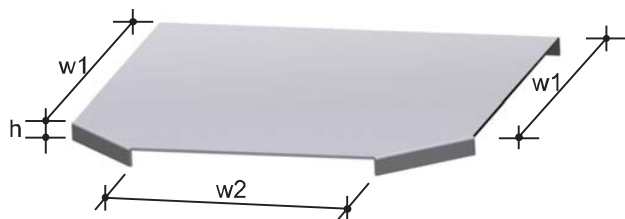
COVER FOR TRAY				
Type	Order numbers	Dimensions (mm)		
		Width w	High h	Lenght L
K05	701760667	50	12	3000
K10	701761667	100	12	3000
K15	701762667	150	12	3000
K20	701763667	200	12	3000
K25	701764667	250	12	3000
K30	701765667	300	12	3000
K40	701766667	400	12	3000
K50	701767667	500	12	3000
K60	701768667	600	12	3000



COVER FOR ANGLE CLUTCH			
Type	Order numbers	For tray (mm)	
		Width w	High h
K05-A	701770667	50	12
K10-A	701771667	100	12
K15-A	701772667	150	12
K20-A	701773667	200	12
K25-A	701774667	250	12
K30-A	701775667	300	12
K40-A	701776667	400	12
K50-A	701777667	500	12
K60-A	701778667	600	12

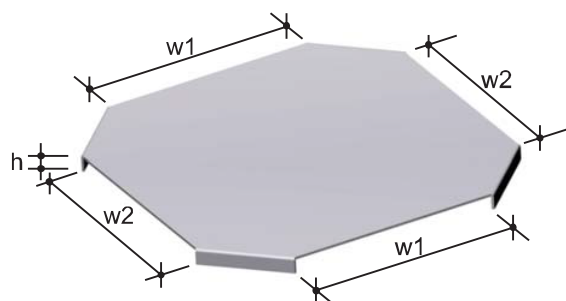


## PERFORATED CABLE TRAY - PNK



COVER FOR SIDE CLUTCH				
Type	Order numbers	For dimensions of tray (mm)		
		Width w	High h	
K05-S	701780667	50	12	
K10-S	701781667	100	12	
K15-S	701782667	150	12	
K20-S	701783667	200	12	
K25-S	701784667	250	12	
K30-S	701785667	300	12	
K40-S	701786667	400	12	
K50-S	701787667	500	12	
K60-S	701788667	600	12	

SIDE CLUTCH FOR TRAY				
Type	Order numbers	Dimensions (mm)		
		Width w	High h	Lenght L
ST40-L	701800667	15	41	240
ST50-L	701801667	15	52	240
ST50-U	701802667	15	56	240
ST60-L	701803667	15	62	240
ST60-U	701804667	15	66	240
ST100-L	701805667	15	102	240
ST100-U	701806667	15	106	240



COVER FOR CROSS CLUTCH				
Type	Order numbers	For dimensions of tray (mm)		
		Width w	High h	
K05-K	701790667	50	12	
K10-K	701791667	100	12	
K15-K	701792667	150	12	
K20-K	701793667	200	12	
K25-K	701794667	250	12	
K30-K	701795667	300	12	
K40-K	701796667	400	12	
K50-K	701797667	500	12	
K60-K	701798667	600	12	

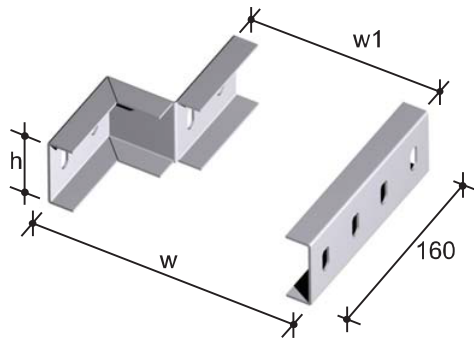
SEPARATOR				
Type	Order numbers	Dimensions (mm)		
		Width w	High h	Lenght L
Sp40	701807667	40	40	3000
Sp50	701808667	40	50	3000
Sp60	701809667	40	60	3000
Sp100	701810667	40	100	3000



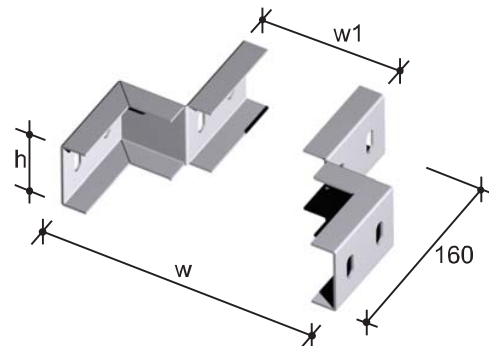
# PRODUCTS OF METAL SHEETS

Rade Koncar-TEP

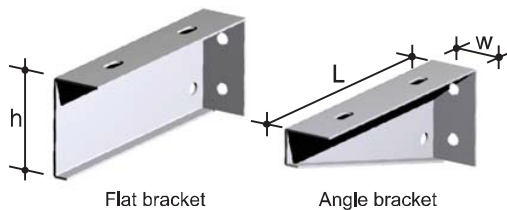
## PERFORATED CABLE TRAY - PNK



REDUCER FROM ONE SIDE				
Type	Order numbers	Dimensions (mm)		
		High h	entrance w	exit w1
RE40	701811667	40	50 - 600	50 - 600
RE50	701812667	50		
RE60	701813667	60		
RE100	701814667	100		
Example of order: RE60 A1/A2 or RE60 200/300				



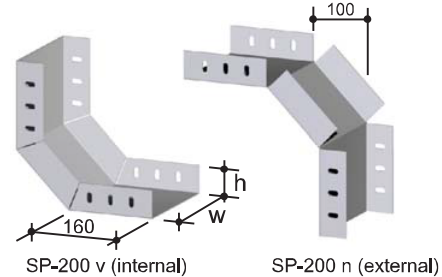
REDUCER FROM TWO SIDE				
Type	Order numbers	Dimensions (mm)		
		High h	entrance w	exit w1
RD40	701815667	40	50 - 600	50 - 600
RD50	701816667	50		
RD60	701817667	60		
RD100	701818667	100		
Example of order: RD60 w/w1 or RD60 250/500				



Flat bracket

Angle bracket

BRACKET FOR CABLE TRAYS - PNK				
Type	Order numbers	Dimensions (mm)		
		Width w	High h	Lenght L
KZ8-05	701819667	40	80	50
KZ8-10	701820667	40	80	100
KZ8-15	701821667	40	80	150
KZ8-20	701822667	40	80	200
KZ8-25	701823667	40	80	250
KZ8-30	701824667	40	80	300
KZ8-40	701825667	40	80	400
KZ8-50	701826667	40	80	500
KZ8-60	701827667	40	80	600
KZ12-05	701828667	40	120	50
KZ12-10	701829667	40	120	100
KZ12-15	701830667	40	120	150
KZ12-20	701831667	40	120	200
KZ12-25	701832667	40	120	250
KZ12-30	701833667	40	120	300
KZ12-40	701834667	40	120	400
KZ12-50	701835667	40	120	500
KZ12-60	701836667	40	120	600
Example of order: KZ8-60 Flat (Angle)				



SP-200 v (internal)

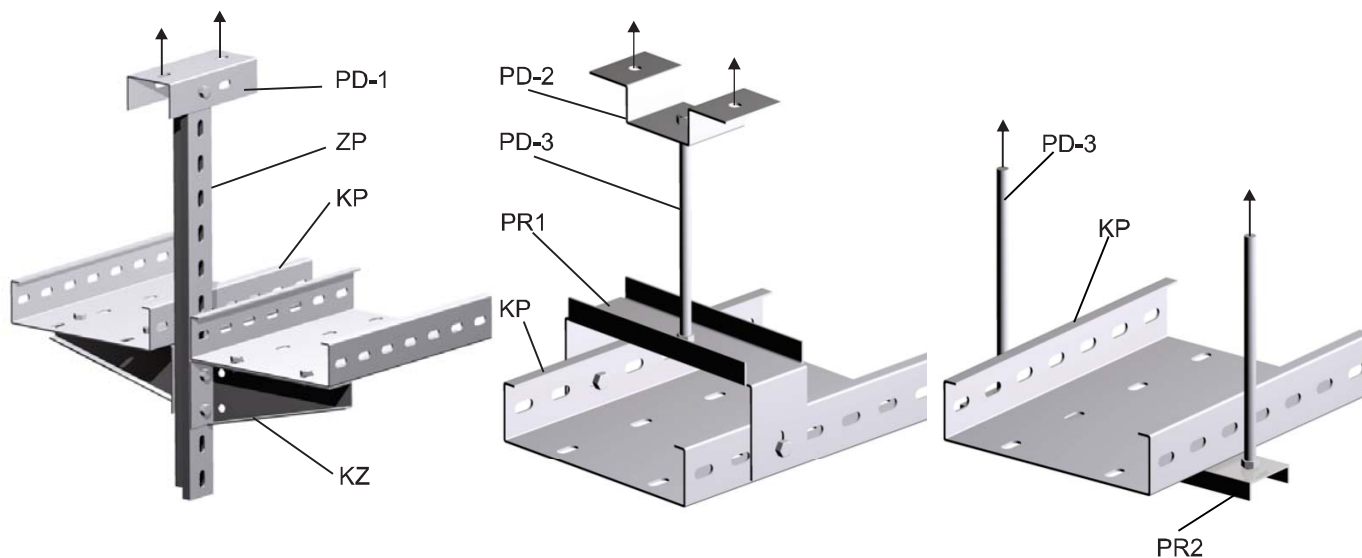
SP-200 n (external)

Internal and external clutch for vertical and horizontal cable trays			
Type	Order numbers	Dimensions (mm)	
		Width w	High h
SP-50 n	701840667	50	40,50
SP-100 n	701841667	100	40,50,60,100
SP-150 n	701842667	150	40,50,60,100
SP-200 n	701843667	200	40,50,60,100
SP-250 n	701844667	250	40,50,60,100
SP-300 n	701845667	300	40,50,60,100
SP-400 n	701846667	400	40,50,60,100
SP-500 n	701847667	500	40,50,60,100
SP-600 n	701848667	600	40,50,60,100
SP-50 v	701849667	50	40,50
SP-100 v	701850667	100	40,50,60,100
SP-150 v	701851667	150	40,50,60,100
SP-200 v	701852667	200	40,50,60,100
SP-250 v	701853667	250	40,50,60,100
SP-300 v	701854667	300	40,50,60,100
SP-400 v	701855667	400	40,50,60,100
SP-500 v	701856667	500	40,50,60,100
SP-600 v	701857667	600	40,50,60,100
Example of order: SP-250v h60			



## PERFORATED CABLE TRAY - PNK

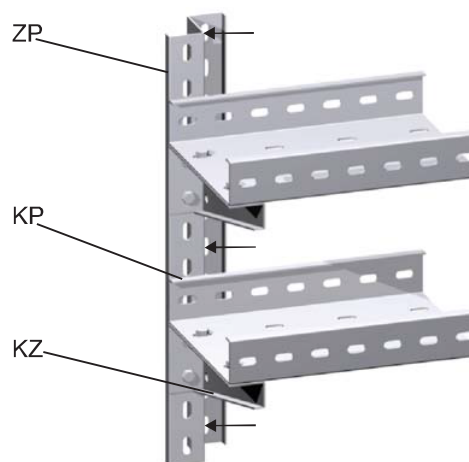
### FIXING ON THE CEILING



CEILING BRACKET

Type	Order numbers	Dimensions (mm)		
		Width w	High h	Lenght L
PD-1	701860667	62	40	150
PD-2	701861667	60	30	150
PD-3	701862667	M10	-	1000
ZP	701863667	55	80	1000
PR1 50	701864667	60	80	50
PR1 100	701865667	60	80	100
PR1 150	701866667	60	80	150
PR1 200	701867667	60	80	200
PR1 250	701868667	60	80	250
PR1 300	701869667	60	80	300
PR1 400	701870667	60	80	400
PR1 500	701871667	60	80	500
PR1 600	701872667	60	80	600
PR2 100	701914667	50	15	180
PR2 150	701915667	50	15	230
PR2 200	701916667	50	15	280
PR2 250	701917667	50	15	330
PR2 300	701918667	50	15	380
PR2 400	701919667	50	15	480
PR2 500	701920667	50	15	580
PR2 600	701921667	50	15	680

### FIXING ON THE WALL



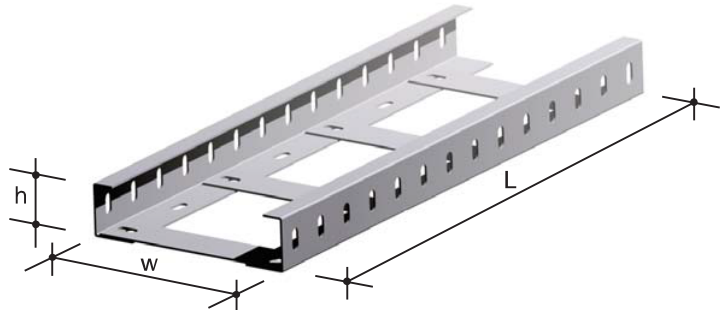


# PRODUCTS OF METAL SHEETS

Rade Koncar-TEP

## ■ CABLE LADER - RNK

CABLE LADERS				
Type	Order numbers	Dimensions (mm)		
		Width w	High h	Lenght L
RN05	701875667	50	50	3000
RN10	701876667	100	50	3000
RN15	701877667	150	50	3000
RN20	701878667	200	50	3000
RN25	701879667	250	50	3000
RN30	701880667	300	50	3000
RN40	701881667	400	50	3000
RN50	701882667	500	50	3000
RN60	701883667	600	50	3000



## ■ FLOOR CABLE TRAYS - PK

FLOOR CABLE TRAYS				
Type	Order numbers	Dimensions (mm)		
		Width w	High h	Lenght L
PK10	701890667	100	50	3000
PK15	701891667	150	50	3000
PK20	701892667	200	50	3000
PK25	701893667	250	50	3000
PK30	701894667	300	50	3000
PK40	701895667	400	50	3000
PK50	701896667	500	50	3000
PK60	701897667	600	50	3000

OMEGA CLUTCH				
Type	Order numbers	Dimensions (mm)		
		Width w	High h	Lenght d
OM10	701898667	100	50	50
OM15	701899667	150	50	50
OM20	701900667	200	50	50
OM25	701901667	250	50	50
OM30	701902667	300	50	50
OM40	701903667	400	50	50
OM50	701904667	500	50	50
OM60	701905667	600	50	50

FLOOR ANGLE CLUTCH				
Type	Order numbers	Dimensions (mm)		
		Width w	High h	Lenght a
ASp10	701906667	100	50	200
ASp15	701907667	150	50	200
ASp20	701908667	200	50	200
ASp25	701909667	250	50	200
ASp30	701910667	300	50	200
ASp40	701911667	400	50	200
ASp50	701912667	500	50	200
ASp60	701913667	600	50	200

